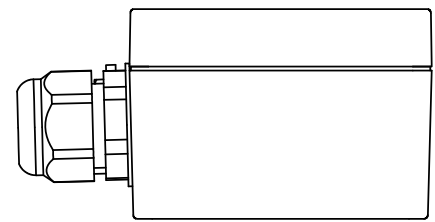
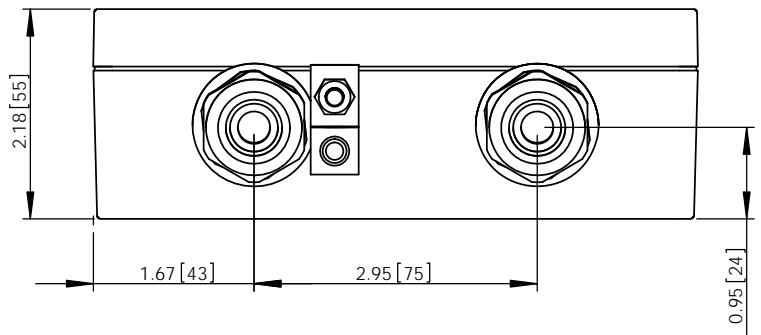
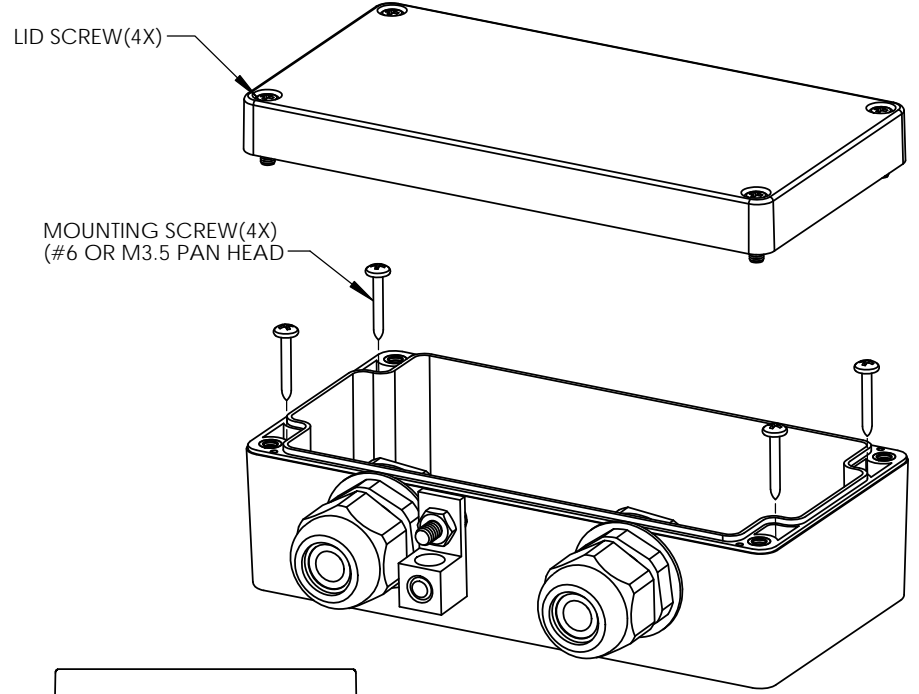
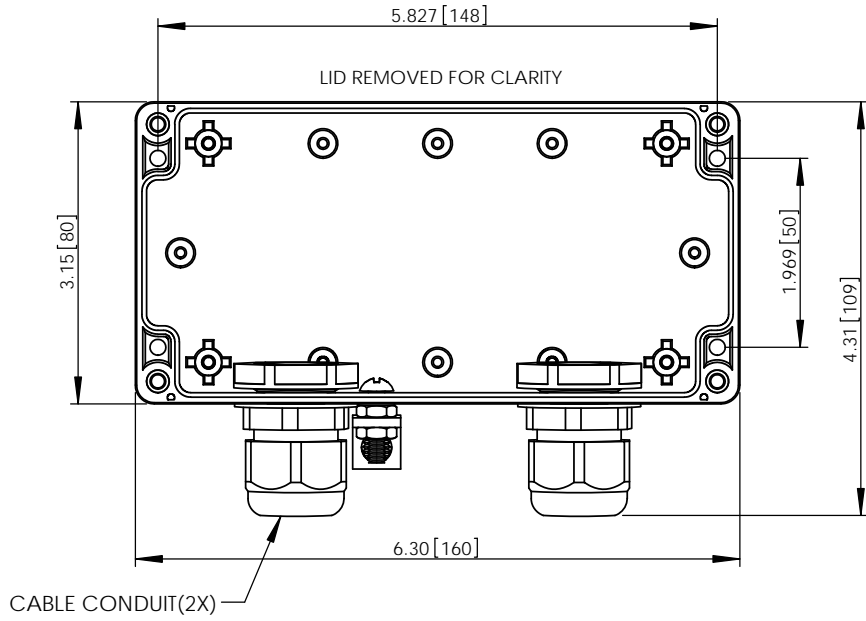


THE INFORMATION CONTAINED IN THIS DRAWING IS THE SOLE PROPERTY OF L-COM, INC. ANY REPRODUCTION IN PART OR WHOLE WITHOUT THE WRITTEN PERMISSION OF L-COM, INC. IS PROHIBITED.

REVISIONS			
REV	DESCRIPTION	DATE	APPROVED
A	INITIAL RELEASE	01/18/10	B.PUCHASKI
B	Redrawn in 3D, Removed Chart, New ground Clamp (ENC#5320)	02/28/11	B.PUCHASKI
C	ECN 7207 UPDATE PACKAGING AND RoHS NOTES	12/20/13	B.PUCHASKI



NOTES:

PACKAGING:
COMPONENT SHALL BE PACKAGED IN ACCORDANCE WITH L-COM SPEC PKG-00012

-ALL DIMENSIONS ARE FOR REFERENCE-

REGULATORY COMPLIANCE:
CE2011/65/EU(RoHS DIRECTIVE)

UNLESS OTHERWISE SPECIFIED, DIMENSIONS ARE IN INCHES [mm] DIMENSIONAL TOLERANCES: .X = ±.1 [2.54] .XX = ±.01 [25] .XXX = ±.005 [13] ANGULAR TOLERANCES: ALL = ± 1°	APPROVALS DRAWN BY B.PUCHASKI	DATE 01/18/10		45 BEECHWOOD DRIVE NORTH ANDOVER, MA 01845
	CHECKED BY M.AUDAS	01/18/10		CATEGORY LIGHTNING PROTECTOR
PROJECTION 	APPROVED BY M.AUDAS	01/18/10	PRODUCT DESCRIPTION WEATHERPROOF ENCLOSURE FOR AL SERIES LP'S	
COLOR VARIATIONS MAY OCCUR	SIZE A	FSCM NO. 43321	DWG. NO. AL-W060302	REV. C
SCALE: NONE		CAD FILE: AL-W060302.SLDDRW		SHEET 1 OF 1