

6

5

4

3

2

1

REVISION					
ZONE	REV	DESCRIPTION	DATE	CHANGED BY	APPROVED
	B	UPDATED PER ECO-13634	05/22/2024	HBAKKE	DGUST

F

F

E

E

D

D

C

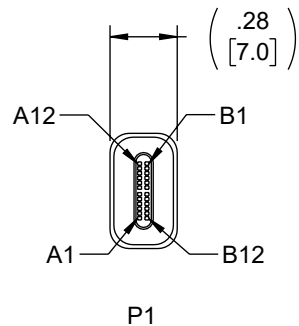
C

B

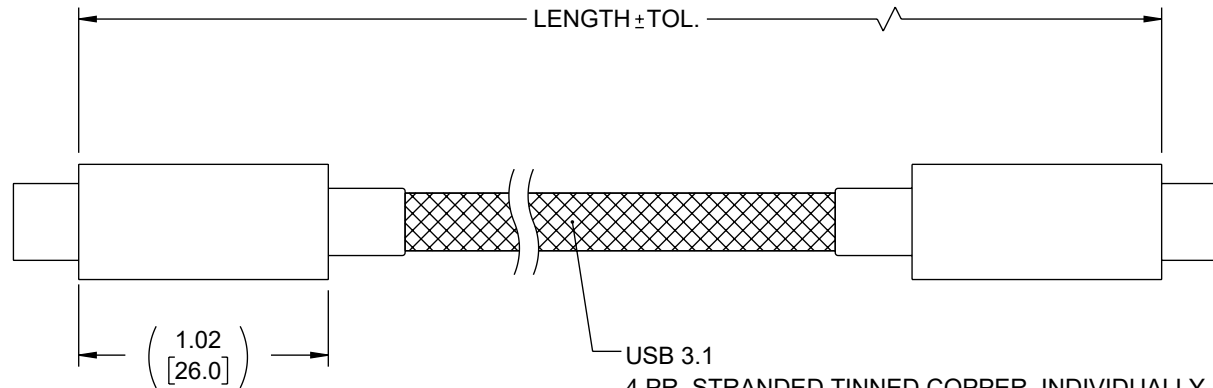
B

A

A

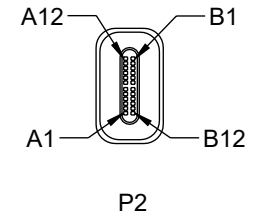


2X USB 3.1
TYPE C MALE
CONNECTOR



USB 3.1

4 PR, STRANDED TINNED COPPER, INDIVIDUALLY SHIELDED
4 COND. STRANDED TINNED COPPER
1 PR. STRANDED TINNED COPPER
2 COND. STRANDED TINNED COPPER, (RED & BLACK)
WITH TINNED COPPER BRAID SHIELDING
JACKET: TPE, BLACK NYLON BRAID



WIRING MAP

P1		P2
A1, B1, A12, B12	GND	A1, B1, A12, B12 GND
A4, B4, A9, B9	VBUS	A4, B4, A9, B9 VBUS
A5	CC	A5 CC
B5		B5 B5
A6	Dp1	A6 Dp1
A7	Dn1	A7 Dn1
A2	SSTXp1	B11 SSTXp1
A3	SSTXn1	B10 SSTXn1
B11	SSRXp1	A2 SSRXp1
B10	SSRXn1	A3 SSRXn1
B2	SSTXp2	A11 SSTXp2
B3	SSTXn2	A10 SSTXn2
A11	SSRXp2	B2 SSRXp2
A10	SSRXn2	B3 SSRXn2
A8	SBU1	B8 SBU1
B8	SBU2	A8 SBU2
	SHELL	SHELL

NOTES:

PASS: 10Gbps/5A 20V TEST
OPERATING TEMPERATURE: -20 TO +80°C

- CABLE ASSEMBLY SHALL BE TESTED FOR CONTINUITY.
- CABLE ASSEMBLY SHALL BE INDIVIDUALLY PACKAGED.

THE INFORMATION CONTAINED IN THIS DRAWING IS THE SOLE PROPERTY OF INFINITE ELECTRONICS, INC. ANY REPRODUCTION IN PART OR WHOLE WITHOUT THE WRITTEN PERMISSION OF INFINITE ELECTRONICS, INC. IS PROHIBITED. THESE COMMODITIES, TECHNOLOGY OR SOFTWARE WERE EXPORTED FROM THE UNITED STATES IN ACCORDANCE WITH THE EXPORT ADMINISTRATION REGULATIONS. DIVERSION CONTRARY TO U.S. LAW PROHIBITED.

ITEM NUMBER	LENGTH, IN [mm]	TOLERANCE, IN [mm]
CAU31CC-MM-1M	39.37 [1000.0]	± 1.18 [30.0]
CAU31CC-MM-2M	78.74 [2000.0]	± 1.18 [30.0]

UNLESS OTHERWISE SPECIFIED
LEADING DIMENSIONS ARE INCHES
DIMENSIONS IN [] ARE MILLIMETERS

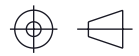
TOLERANCES:
X = ±.2 [5] | FRACTIONS
.XX = ±.02 [0.5] | ± 1/32
.XXX = ±.005 [0.13] | ANGLES ± 1°

CABLE LENGTH TOLERANCES:
≤12 [305] = +1 [25] / -0
>12 [305] ≤ 60 [1524] = +2 [51] / -0
>60 [1524] ≤ 120 [3048] = +4 [102] / -0
>120 [3048] ≤ 300 [7620] = +6 [152] / -0
>300 [7620] = +5% / -0

ALL DIMENSIONS ARE FOR REFERENCE ONLY
AND SUBJECT TO CHANGE WITHOUT NOTICE.
UN-DIMENSIONED/NON-CRITICAL FEATURES
MAY VARY IN SIZE AND LOCATION
COLORS MAY VARY

L-com
an INFINIT® brand

Website: www.L-com.com
Phone: 1.800.341.5266 | 1.978.682.6936



INTERPRET ALL DIMENSIONS AND
TOLERANCES PER ASME Y14.5

SCALE	SHEET
NONE	1 OF 1

DESCRIPTION
USB 3.1, CM/CM, ALUM SHELL, 20V/5A 10Gbps, BLACK NYLON BRAID

SIZE	CAGE CODE	DRAWN BY	ITEM NO.	REV
A	43321	DFRISIELLO	CAU31CC-MM	B

6

5

4

3

2

1