

6

5

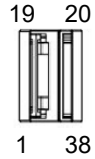
4

3

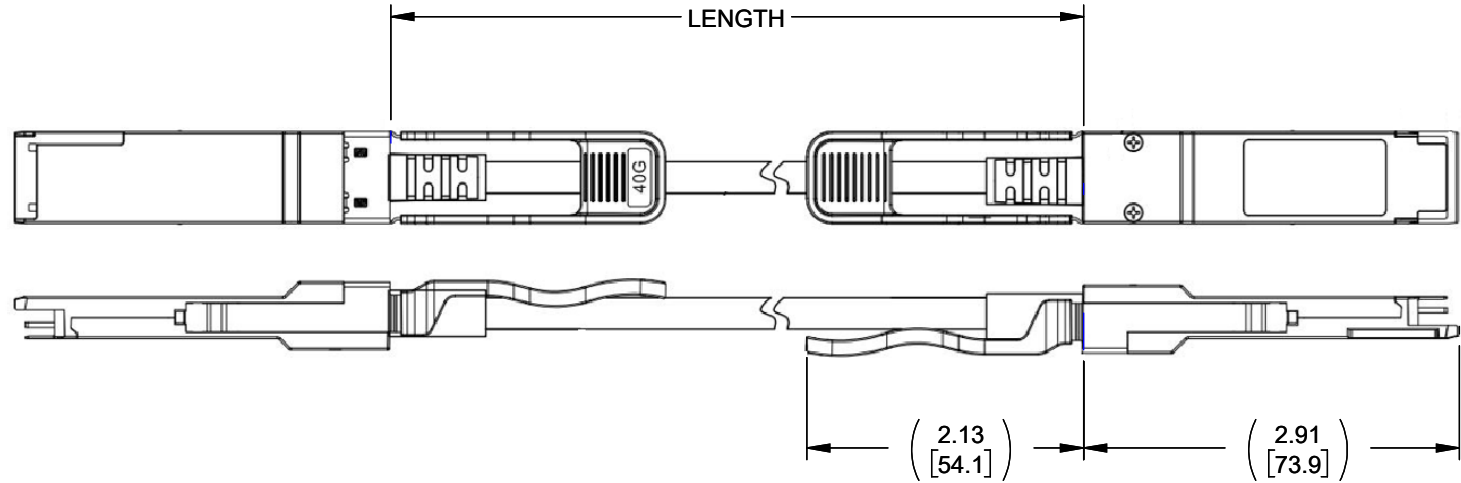
2

1

REVISION					
ZONE	REV	DESCRIPTION	DATE	CHANGED BY	APPROVED
	A	INITIAL RELEASE	05/29/2026	SLI	WLI



"P1"



"P2"

PART NUMBER	TYPE	DATA RATE	CONNECTOR TYPE	WIRE GAUGE	LENGTH
DAC-QS40MSA-1M	PASSIVE	40Gbps	QSFP+	30 AWG	1.0 METERS
DAC-QS40MSA-3M	PASSIVE	40Gbps	QSFP+	30 AWG	3.0 METERS
DAC-QS40MSA-5M	PASSIVE	40Gbps	QSFP+	26 AWG	5.0 METERS
DAC-QS40MSA-7M	PASSIVE	40Gbps	QSFP+	26 AWG	7.0 METERS

NOTES:

- 1a. STORAGE TEMP: -40°C TO +85°C.
- 1b. OPERATING CASE TEMP: 0°C TO +70°C.
- 1c. POWER SUPPLY VOLTAGE (Vcc): 3.13V MIN, 3.3V TYP., 3.47V MAX.
- 1d. POWER DISSIPATION: 0.02W MAX.

2. CABLE ASSEMBLY SHALL BE INDIVIDUALLY PACKAGED.

REGULATORY COMPLIANCE:
EU RoHS DIRECTIVE (MOST RECENT RELEASED VERSION)

THE INFORMATION CONTAINED IN THIS DRAWING IS THE SOLE PROPERTY OF INFINITE ELECTRONICS, INC. ANY REPRODUCTION IN PART OR WHOLE WITHOUT THE WRITTEN PERMISSION OF INFINITE ELECTRONICS, INC. IS PROHIBITED. THESE COMMODITIES, TECHNOLOGY OR SOFTWARE WERE EXPORTED FROM THE UNITED STATES IN ACCORDANCE WITH THE EXPORT ADMINISTRATION REGULATIONS. DIVERSION CONTRARY TO U.S. LAW PROHIBITED.

UNLESS OTHERWISE SPECIFIED
LEADING DIMENSIONS ARE INCHES
DIMENSIONS IN [] ARE MILLIMETERS

TOLERANCES:
.X = ±.2 [5]
.XX = ±.02 [0.5]
.XXX = ±.005 [0.13]

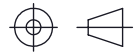
FRACTIONS
± 1/32
ANGLES ± 1°

CABLE LENGTH TOLERANCES:
≤12 [305] = +1 [25] / -0
>12 [305] ≤ 60 [1524] = +2 [51] / -0
>60 [1524] ≤ 120 [3048] = +4 [102] / -0
>120 [3048] ≤ 300 [7620] = +6 [152] / -0
>300 [7620] = +5% / -0

CABLE LENGTH TOL IAW IPC A-620
ALL DIMENSIONS ARE FOR REFERENCE ONLY
AND SUBJECT TO CHANGE WITHOUT NOTICE.
UN-DIMENSIONED/NON-CRITICAL FEATURES
MAY VARY IN SIZE AND LOCATION
COLORS MAY VARY

L-com
an INFINITE company

Website: www.L-com.com
Phone: 1.800.341.5266 | 1.978.682.6936



INTERPRET ALL DIMENSIONS AND
TOLERANCES PER ASME Y14.5

SCALE	SHEET
NONE	1 OF 1

DESCRIPTION				
40G QSFP+ DAC, 0~70°C				
SIZE	CAGE CODE	DRAWN BY	ITEM NO.	REV
A	43321	SLI	DAC-QS40MSA	A

6

5

4

3

2

1