

6

5

4

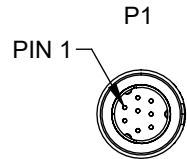
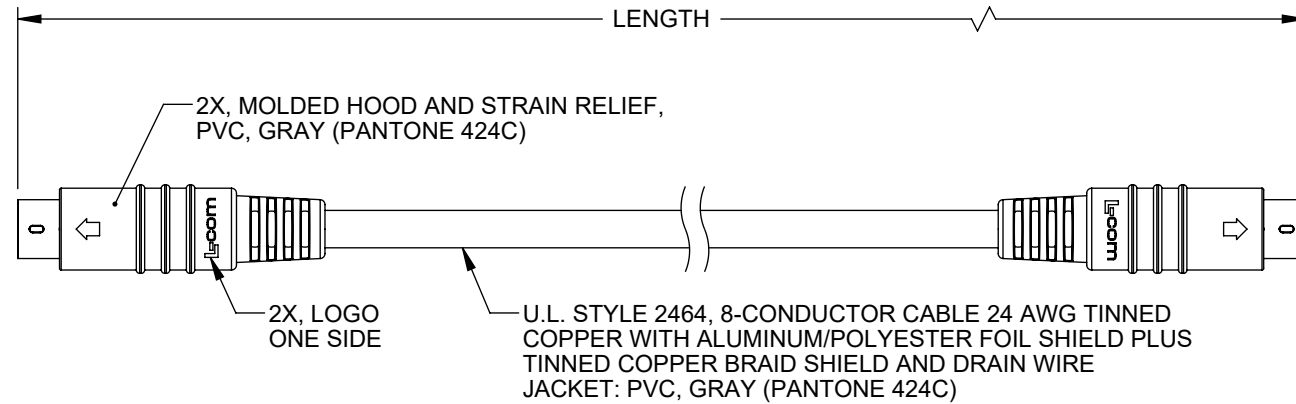
3

2

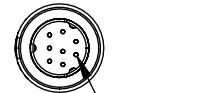
1

REVISION

ZONE	REV	DESCRIPTION	DATE	CHANGED BY	APPROVED
	F	ECO-15562	2/24/2026	DMAY	DGUST



2X MALE MINI-DIN 8 CONNECTOR



MODEL NUMBER	LENGTH	
	FEET	METERS
DK238MM-1	1.0	0.30
DK238MM-2	2.0	0.61
DK238MM-3	3.0	0.91
DK238MM-6	6.0	1.83
DK238MM-10	10.0	3.05
DK238MM-15	15.0	4.57
DK238MM-20	20.0	6.10
DK238MM-25	25.0	7.62

WIRING MAP		
P1	COLOR	P2
1	LT. BLUE	1
2	LT. GREEN	2
3	PURPLE	3
4	WHITE	4
5	ORANGE	5
6	YELLOW	6
7	BROWN	7
8	RED	8
SHELL	DRAIN	SHELL

NOTES:

1. CABLE ASSEMBLY SHALL BE TESTED FOR CONTINUITY.
2. CABLE ASSEMBLY SHALL BE INDIVIDUALLY PACKAGED IN ACCORDANCE WITH L-COM SPECIFICATION PS-0031.
3. OPERATING TEMPERATURE: $-20^{\circ}\text{C}\sim+80^{\circ}\text{C}$.
STORAGE TEMPERATURE: $-10^{\circ}\text{C}\sim+80^{\circ}\text{C}$.

REGULATORY COMPLIANCE:
EU RoHS DIRECTIVE (MOST RECENT RELEASED VERSION).

THE INFORMATION CONTAINED IN THIS DRAWING IS THE SOLE PROPERTY OF INFINITE ELECTRONICS, INC. ANY REPRODUCTION IN PART OR WHOLE WITHOUT THE WRITTEN PERMISSION OF INFINITE ELECTRONICS, INC. IS PROHIBITED. THESE COMMODITIES, TECHNOLOGY OR SOFTWARE WERE EXPORTED FROM THE UNITED STATES IN ACCORDANCE WITH THE EXPORT ADMINISTRATION REGULATIONS. DIVERSION CONTRARY TO U.S. LAW PROHIBITED.

UNLESS OTHERWISE SPECIFIED
LEADING DIMENSIONS ARE INCHES
DIMENSIONS IN [] ARE MILLIMETERS

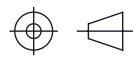
TOLERANCES:
X = ± 2 [5] FRACTIONS
XX = ± 0.02 [0.5] $\pm 1/32$
XXX = ± 0.005 [0.13] ANGLES $\pm 1^{\circ}$

CABLE LENGTH TOLERANCES:
 ≤ 12 [305] = ± 1 [25] / -0
 >12 [305] ≤ 60 [1524] = ± 2 [51] / -0
 >60 [1524] ≤ 120 [3048] = ± 4 [102] / -0
 >120 [3048] ≤ 300 [7620] = ± 6 [152] / -0
 >300 [7620] = $\pm 5\%$ / -0

ALL DIMENSIONS ARE FOR REFERENCE ONLY
AND SUBJECT TO CHANGE WITHOUT NOTICE.
UN-DIMENSIONED/NON-CRITICAL FEATURES
MAY VARY IN SIZE AND LOCATION
COLORS MAY VARY

L-com
an INFINIT@ brand

Website: www.L-com.com
Phone: 1.800.341.5266 | 1.978.682.6936



INTERPRET ALL DIMENSIONS AND TOLERANCES PER ASME Y14.5

SCALE NONE SHEET 1 OF 1

DESCRIPTION

CBL MD8 MALE/MD8 MALE

SIZE	CAGE CODE	DRAWN BY	ITEM NO.	REV
A	43321	TJC	DK238MM	F

6

5

4

3

2

1