

6

5

4

3

2

1

| REVISION | | | | | |
|----------|-----|-----------------------|------------|------------|-----------|
| ZONE | REV | DESCRIPTION | DATE | CHANGED BY | APPROVED |
| | C | UPDATED PER ECO-13214 | 12/20/2023 | HBAKKE | RCARLESCO |

F

F

E

E

D

D

C

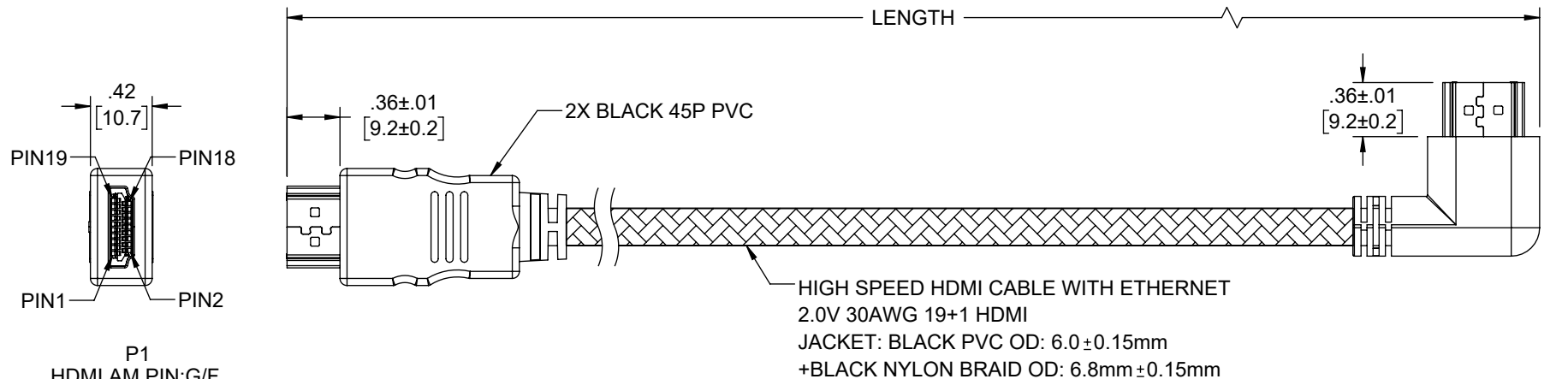
C

B

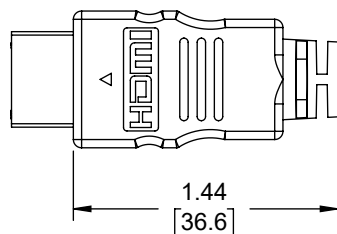
B

A

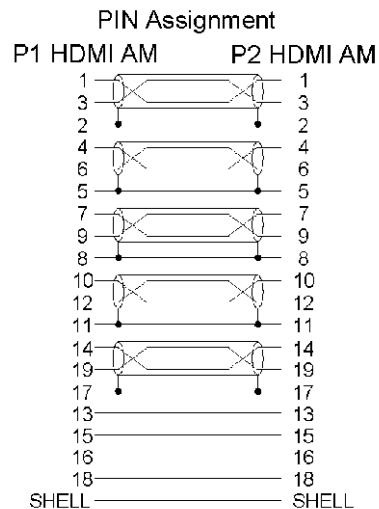
A



P1
HDMI AM PIN:G/F,
SHELL: GOLD PLATED



P2
HDMI AM PIN:G/F,
SHELL: GOLD PLATED



| PART NUMBER | LENGTH | |
|------------------|--------|----------|
| | FEET | METERS |
| LHDMI2-RAL-MM-1M | 3.28 | 1.0 ±.03 |
| LHDMI2-RAL-MM-3M | 9.84 | 3.0 ±.03 |

NOTES:

- CABLE ASSEMBLY SHALL BE TESTED FOR CONTINUITY.
- CABLE ASSEMBLY SHALL BE INDIVIDUALLY PACKAGED.
- DIMENSIONS FOR REFERENCE ONLY.

REGULATORY COMPLIANCE:

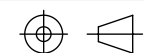
EU RoHS DIRECTIVE (MOST RECENT RELEASED VERSION)

THE INFORMATION CONTAINED IN THIS DRAWING IS THE SOLE PROPERTY OF INFINITE ELECTRONICS, INC. ANY REPRODUCTION IN PART OR WHOLE WITHOUT THE WRITTEN PERMISSION OF INFINITE ELECTRONICS, INC. IS PROHIBITED. THESE COMMODITIES, TECHNOLOGY OR SOFTWARE WERE EXPORTED FROM THE UNITED STATES IN ACCORDANCE WITH THE EXPORT ADMINISTRATION REGULATIONS. DIVERSION CONTRARY TO U.S. LAW PROHIBITED.

| | |
|--|------------------|
| UNLESS OTHERWISE SPECIFIED LEADING DIMENSIONS ARE INCHES DIMENSIONS IN [] ARE MILLIMETERS | |
| TOLERANCES: | |
| X = ±.2 [5] | FRACTIONS ± 1/32 |
| .XX = ±.02 [0.5] | ANGLES ± 1° |
| .XXX = ±.005 [0.13] | |
| CABLE LENGTH TOLERANCES: | |
| ≤12 [305] = +1 [25] / -0 | |
| >12 [305] ≤ 60 [1524] = +2 [51] / -0 | |
| >60 [1524] ≤ 120 [3048] = +4 [102] / -0 | |
| >120 [3048] ≤ 300 [7620] = +6 [152] / -0 | |
| >300 [7620] = +5% / -0 | |
| ALL DIMENSIONS ARE FOR REFERENCE ONLY AND SUBJECT TO CHANGE WITHOUT NOTICE. UN-DIMENSIONED (NON-CRITICAL) FEATURES MAY VARY IN SIZE AND LOCATION COLORS MAY VARY | |

L-com
an INFINIT® brand

Website: www.L-com.com
Phone: 1.800.341.5266 | 1.978.682.6936



INTERPRET ALL DIMENSIONS AND
TOLERANCES PER ASME Y14.5

| | |
|-------|--------|
| SCALE | SHEET |
| NONE | 1 OF 1 |

DESCRIPTION
HDMI 2.0 90 DEG LEFT ANGLE, M/M, BLACK PVC SHELL WITH
BLACK NYLON BRAID CABLE, SUPPORT 4K @ 60Hz

| SIZE | CAGE CODE | DRAWN BY | ITEM NO. | REV |
|------|-----------|----------|---------------|-----|
| A | 43321 | DMAY | LHDMI2-RAL-MM | C |

6

5

4

3

2

1