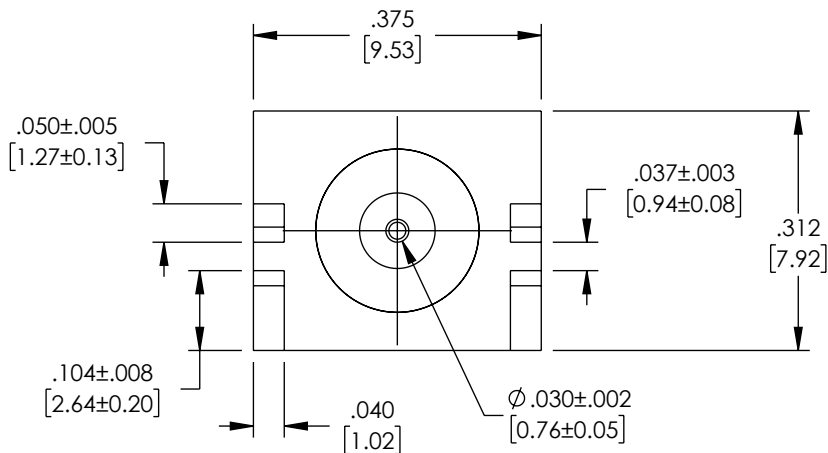
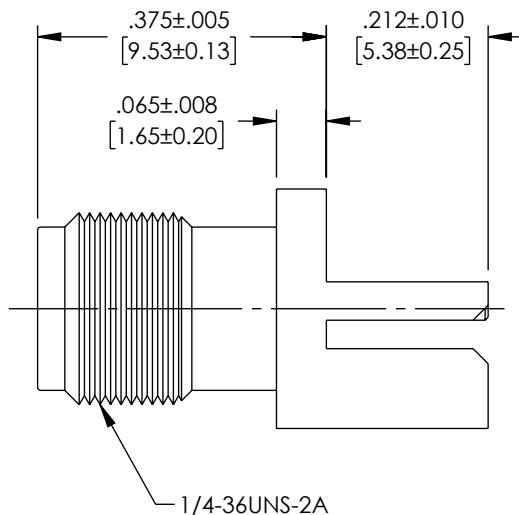


THE INFORMATION CONTAINED IN THIS DRAWING IS THE SOLE PROPERTY OF L-COM, INC. ANY REPRODUCTION IN PART OR WHOLE WITHOUT THE WRITTEN PERMISSION OF L-COM, INC. IS PROHIBITED.

REVISION					
ZONE	REV	DESCRIPTION	DATE	CHANGED BY	APPROVED
	A	INITIAL RELEASE	03/08/2023	DMAY	AGANWANI



MATERIAL & FINISH:

1. BODY: BRASS, GOLD PLATED
2. CENTER CONTACT: BERYLLIUM COPPER ALLOY, GOLD PLATED
3. INSULATOR: PTFE

ELECTRICAL DATA:

1. IMPEDANCE: 50 Ω
2. FREQUENCY RANGE: DC~18 GHz
3. WITHSTANDING VOLTAGE: 1000 VRMS MIN.
4. VOLTAGE: 335 VRMS AT SEA LEVEL
5. DURABILITY: >200 CYCLES


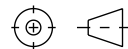
ENVIRONMENTAL DATA:

1. TEMPERATURE RANGE: -65°C~+165°C

COMPONENT SHALL BE INDIVIDUALLY PACKAGED IN ACCORDANCE WITH L-COM SPECIFICATION PS-0031.

REGULATORY COMPLIANCE:

EU RoHS DIRECTIVE (MOST RECENT RELEASED VERSION)

UNLESS OTHERWISE SPECIFIED, DIMENSIONS ARE IN INCHES [mm] OVERALL CABLE LENGTH TOLERANCE: ≤12 [305] = +1 [25] / -0 >12 [305] ≤60 [1524] = +2 [51] / -0 >60 [1524] ≤120 [3048] = +4 [102] / -0 >120 [3048] ≤300 [7620] = +6 [152] / -0 >300 [7620] = +5% / -0 ALL OTHER DIMENSIONAL TOLERANCES: .X = ±.2 [5] FRACTIONS ± 1/32 .XX = ±.02 [5] ANGLES ± 1° .XXX = ±.005 [1.3]	APPROVALS	DATE	 50 High Street, West Mill, North Andover, MA 01845 USA. Phone: 1.800.341.5266 1.978.682.6936
	DRAWN BY DMAY	3/8/2023	
THIRD-ANGLE PROJECTION 	CHECKED BY HBAKKE	3/9/2023	CATEGORY RF INTERCONNECTS
	APPROVED BY AGANWANI	3/9/2023	
CONFIGURATION DETAILS OF UNDIMENSIONED FEATURES MAY VARY	PRODUCT DESCRIPTION RF PCB CONNECTOR, SMA, FEMALE UP TO 18 GHz, EDGE MOUNT, STRAIGHT		SIZE A
COLOR VARIATIONS MAY OCCUR	CAGE CODE 43321	ITEM NO. RFPCB-SMA-FS18G-43	
SCALE: NONE		CAD FILE: RFPCB-SMA-FS18G-43.SLDDRW	SHEET 1 OF 1