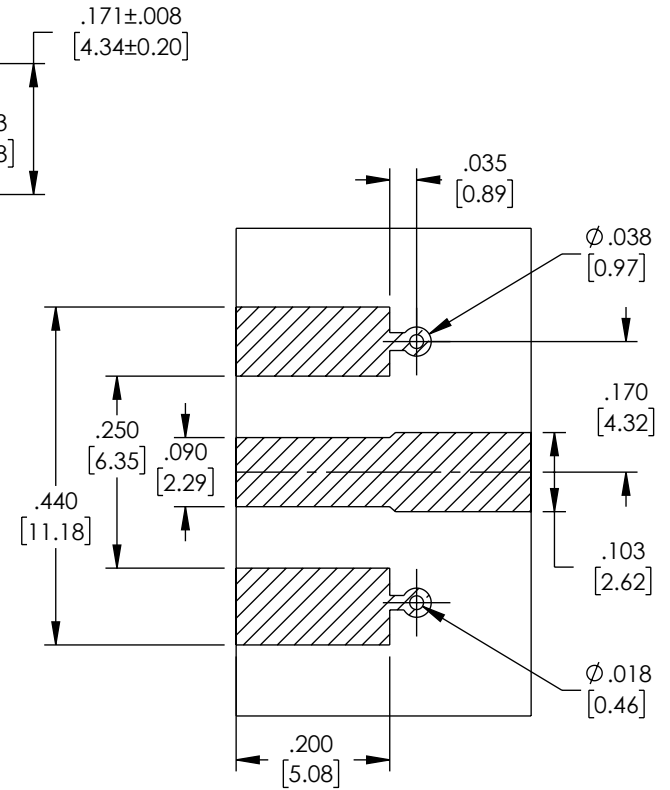
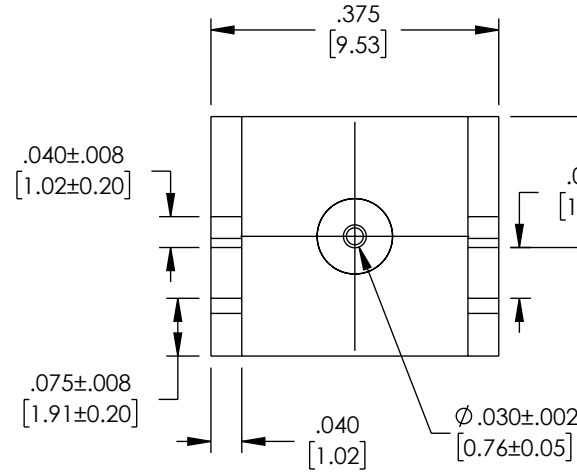
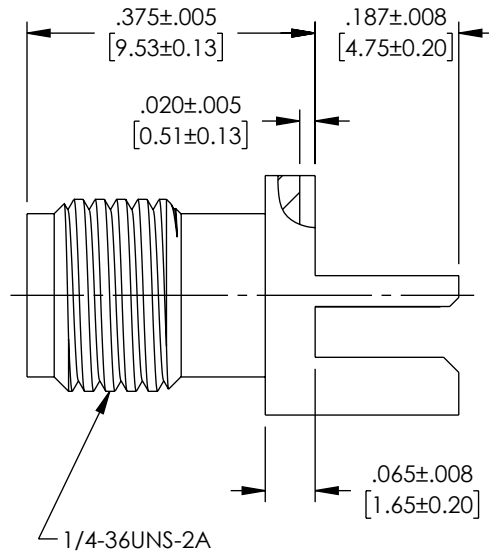


THE INFORMATION CONTAINED IN THIS DRAWING IS THE SOLE PROPERTY OF L-COM, INC. ANY REPRODUCTION IN PART OR WHOLE WITHOUT THE WRITTEN PERMISSION OF L-COM, INC. IS PROHIBITED.

REVISION					
ZONE	REV	DESCRIPTION	DATE	CHANGED BY	APPROVED
	A	INITIAL RELEASE	03/06/2023	DMAY	AGANWANI



RECOMMENDED PCB LAYOUT
BOARD THICKNESS .062 [1.57]

MATERIAL & FINISH:

1. BODY: BRASS, GOLD PLATED
2. CENTER CONTACT: BRASS, GOLD PLATED
3. INSULATOR: PTFE

ELECTRICAL DATA:

1. IMPEDANCE: 50 OHMS
2. FREQUENCY RANGE: DC~18 GHz
3. WITHSTANDING VOLTAGE: 1000 VRMS MIN.
4. VOLTAGE: 500 VRMS AT SEA LEVEL
5. VSWR: <1.07 AT DC~8 GHz
6. DURABILITY: >200 CYCLES


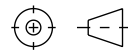
ENVIRONMENTAL DATA:

1. TEMPERATURE RANGE: -65°C~+165°C

COMPONENT SHALL BE INDIVIDUALLY PACKAGED IN ACCORDANCE WITH L-COM SPECIFICATION PS-0031.

REGULATORY COMPLIANCE:

EU RoHS DIRECTIVE (MOST RECENT RELEASED VERSION)

UNLESS OTHERWISE SPECIFIED, DIMENSIONS ARE IN INCHES [mm] OVERALL CABLE LENGTH TOLERANCE: ≤12 [305] = +1 [25] / -0 >12 [305] ≤60 [1524] = +2 [51] / -0 >60 [1524] ≤120 [3048] = +4 [102] / -0 >120 [3048] ≤300 [7620] = +6 [152] / -0 >300 [7620] = +5% / -0 ALL OTHER DIMENSIONAL TOLERANCES: .X = ± .2 [5] FRACTIONS ± 1/32 .XX = ± .02 [5] ANGLES ± 1° .XXX = ± .005 [1.3]	APPROVALS	DATE	 50 High Street, West Mill, North Andover, MA 01845 USA. Phone: 1.800.341.5266 1.978.682.6936
	DRAWN BY DMAY	03/06/2023	
	CHECKED BY HBAKKE	03/07/2023	
	APPROVED BY AGANWANI	03/07/2023	
THIRD-ANGLE PROJECTION	CONFIGURATION DETAILS OF UNDIMENSIONED FEATURES MAY VARY	PRODUCT DESCRIPTION	CATEGORY
	COLOR VARIATIONS MAY OCCUR	RF PCB CONNECTOR, SMA, FEMALE, UP TO 18 GHz, END LAUNCH, STRAIGHT	RF INTERCONNECTS
	SIZE A	CAGE CODE 43321	ITEM NO. RFPB-SMA-FS18G-49
	SCALE: NONE	CAD FILE: RFPB-SMA-FS18G-49.SLDDRW	SHEET 1 OF 1