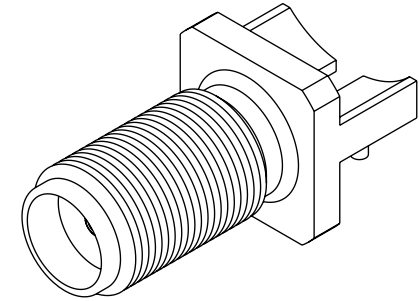
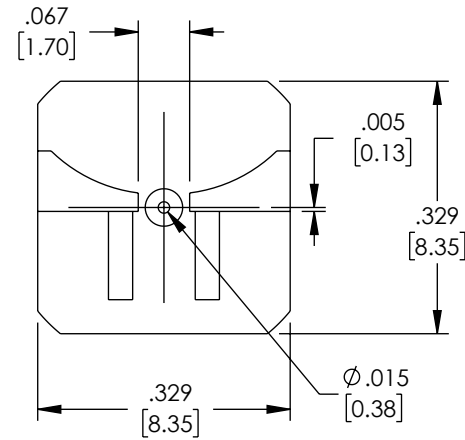
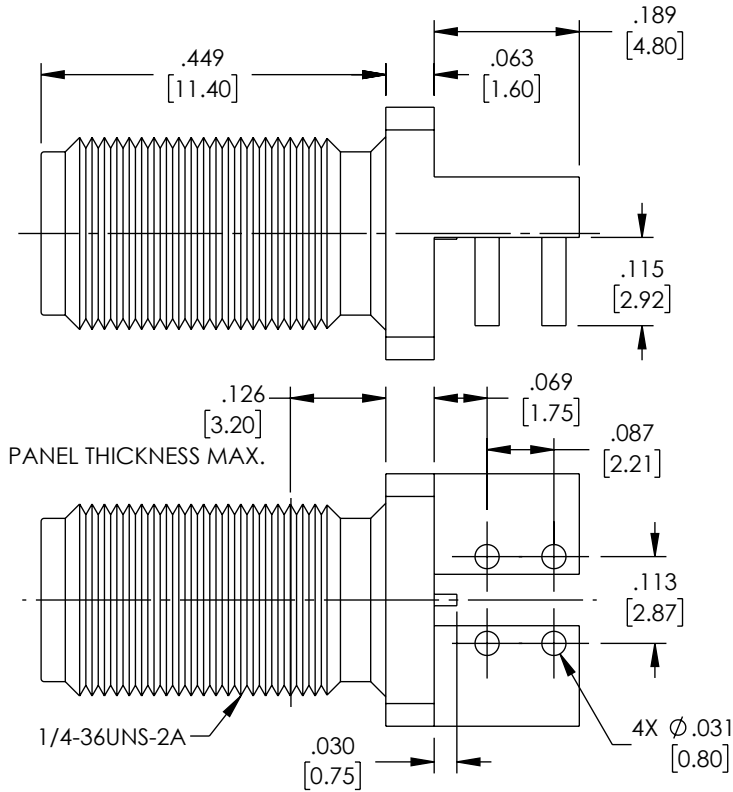


THE INFORMATION CONTAINED IN THIS DRAWING IS THE SOLE PROPERTY OF L-COM, INC. ANY REPRODUCTION IN PART OR WHOLE WITHOUT THE WRITTEN PERMISSION OF L-COM, INC. IS PROHIBITED.

REVISION					
ZONE	REV	DESCRIPTION	DATE	CHANGED BY	APPROVED
	A	INITIAL RELEASE	03/06/2023	DMAY	AGANWANI

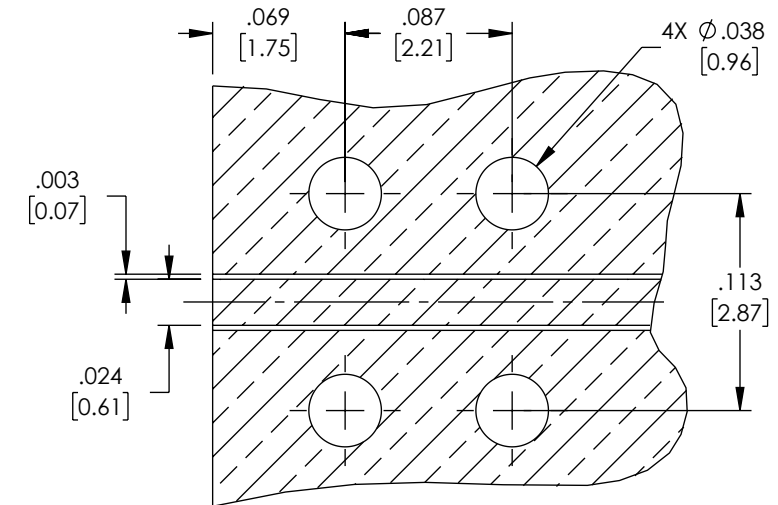
D

D



C

C



2.5:1
RECOMMENDED MOUNTING HOLE
BASED ON ER=.165 [4.2], PCB THICKNESS = .063 [1.6]

MATERIAL & FINISH:

1. BODY: BRASS, GOLD PLATED
2. CENTER CONTACT: BERYLLIUM COPPER ALLOY, GOLD PLATED
3. INSULATOR: PTFE

ELECTRICAL DATA:

1. IMPEDANCE: 50 OHMS
2. FREQUENCY RANGE: DC~18 GHz
3. DIELECTRIC W/V: 750 VEFF
4. INSULATION RESISTANCE: 5000 M-OHM

MECHANICAL DATA:

1. CONTACT RETENTION: 18 N MIN
2. DURABILITY: 100 CYCLES MIN.
3. WEIGHT: 2.7 G


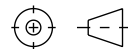
ENVIRONMENTAL DATA:

1. OPERATING TEMPERATURE: -55 °C~+125 °C
2. 1907/2006/EC(REACH) AND 1999/45/EC(REACH): COMPLIANT

COMPONENT SHALL BE INDIVIDUALLY PACKAGED IN ACCORDANCE WITH L-COM SPECIFICATION PS-0031.

REGULATORY COMPLIANCE:

EU RoHS DIRECTIVE (MOST RECENT RELEASED VERSION)

UNLESS OTHERWISE SPECIFIED, DIMENSIONS ARE IN INCHES [mm]	APPROVALS	DATE	 an INFINITI® brand	50 High Street, West Mill, North Andover, MA 01845 USA. Phone: 1.800.341.5266 1.978.682.6936
	OVERALL CABLE LENGTH TOLERANCES:	DRAWN BY DMAY		
≤12 [305] = +1 [25] / -0 >12 [305] ≤60 [1524] = +2 [51] / -0 >60 [1524] ≤120 [3048] = +4 [102] / -0 >120 [3048] ≤300 [7620] = +6 [152] / -0 >300 [7620] = +5% / -0	CHECKED BY HBAKKE	03/07/2023	CATEGORY	
	ALL OTHER DIMENSIONAL TOLERANCES:	APPROVED BY AGANWANI	03/07/2023	PRODUCT DESCRIPTION
.X = ± .2 [5] FRACTIONS ± 1/32 .XX = ± .02 [5] ANGLES ± 1° .XXX = ± .005 [1.3]	CONFIGURATION DETAILS OF UNDIMENSIONED FEATURES MAY VARY	RF INTERCONNECTS		
THIRD-ANGLE PROJECTION	COLOR VARIATIONS MAY OCCUR	SIZE A	CAGE CODE 43321	ITEM NO. RFPB-SMA-FS18G-51
		SCALE: NONE	CAD FILE: RFPB-SMA-FS18G-51.SLDDRW	SHEET 1 OF 1