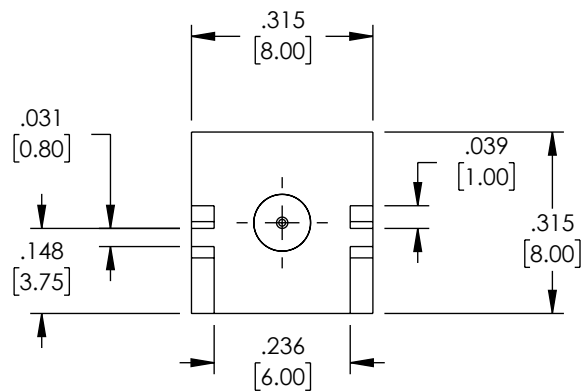
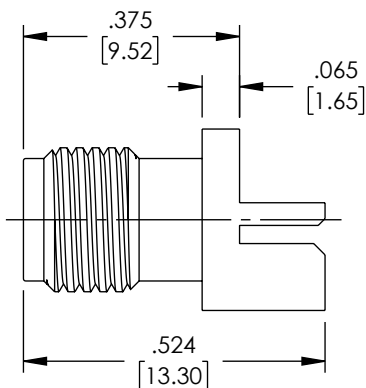
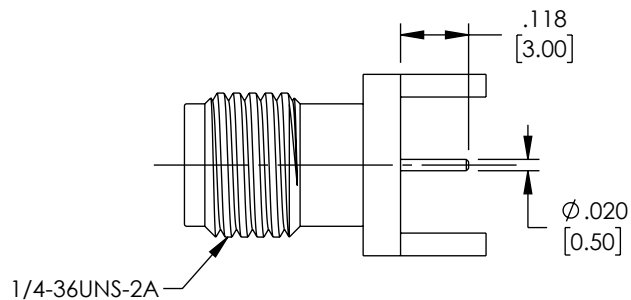


THE INFORMATION CONTAINED IN THIS DRAWING IS THE SOLE PROPERTY OF L-COM, INC. ANY REPRODUCTION IN PART OR WHOLE WITHOUT THE WRITTEN PERMISSION OF L-COM, INC. IS PROHIBITED.

REVISION					
ZONE	REV	DESCRIPTION	DATE	CHANGED BY	APPROVED
	A	INITIAL RELEASE	03/06/2023	DMAY	AGANWANI



ELECTRICAL DATA:

1. IMPEDANCE: 50 OHMS
2. FREQUENCY RANGE: DC~18 GHz
3. VSWR: 1.20 MAX.
4. INSERTION LOSS: 0.3 DB MAX.
5. RF LEAKAGE: -90 DB
6. INSULATION RESISTANCE: 5000 MΩ
7. DIELECTRIC WITHSTAND VOLTAGE: 1000 VRMS MAX.

MECHANICAL DATA:

1. MATING CYCLE: 500
2. RECOMMENDED MATING TORQUE: 0.9-1.13 NM
3. PROOF TORQUE: 1.7 NM
4. COUPLING NUT RETENTION FORCE: 270N
5. CENTER CONTACT RETENTION FORCE: 2.6 POUND (AXIAL)

ENVIRONMENTAL DATA:

1. OPERATING TEMPERATURE: -65°C~+165°C


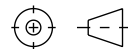
COMPONENT SHALL BE INDIVIDUALLY PACKAGED IN ACCORDANCE WITH L-COM SPECIFICATION PS-0031.

REGULATORY COMPLIANCE:

EU RoHS DIRECTIVE (MOST RECENT RELEASED VERSION)

MATERIAL & FINISH:

1. BODY: BRASS, GOLD PLATED
2. CENTER CONTACT: BERYLLIUM COPPER ALLOY, GOLD PLATED
3. INSULATOR: PTFE

UNLESS OTHERWISE SPECIFIED, DIMENSIONS ARE IN INCHES [mm]	APPROVALS	DATE	 50 High Street, West Mill, North Andover, MA 01845 USA. Phone: 1.800.341.5266 1.978.682.6936
	DRAWN BY DMAY	03/06/2023	
OVERALL CABLE LENGTH TOLERANCE: ≤12 [305] = +1 [25] / -0 >12 [305] ≤60 [1524] = +2 [51] / -0 >60 [1524] ≤120 [3048] = +4 [102] / -0 >120 [3048] ≤300 [7620] = +6 [152] / -0 >300 [7620] = +5% / -0	CHECKED BY HBAKKE	03/07/2023	CATEGORY RF INTERCONNECTS
ALL OTHER DIMENSIONAL TOLERANCES: .X = ± .2 [5] FRACTIONS ± 1/32 .XX = ± .02 [5] ANGLES ± 1° .XXX = ± .005 [13]	APPROVED BY AGANWANI	03/07/2023	
THIRD-ANGLE PROJECTION 	CONFIGURATION DETAILS OF UNDIMENSIONED FEATURES MAY VARY	PRODUCT DESCRIPTION RF PCB CONNECTOR, SMA, FEMALE, UP TO 18 GHz, EDGE MOUNT, STRAIGHT	SIZE A
	COLOR VARIATIONS MAY OCCUR	CAGE CODE 43321	ITEM NO. RFPCB-SMA-FS18G-55
		SCALE: NONE	SHEET 1 OF 1