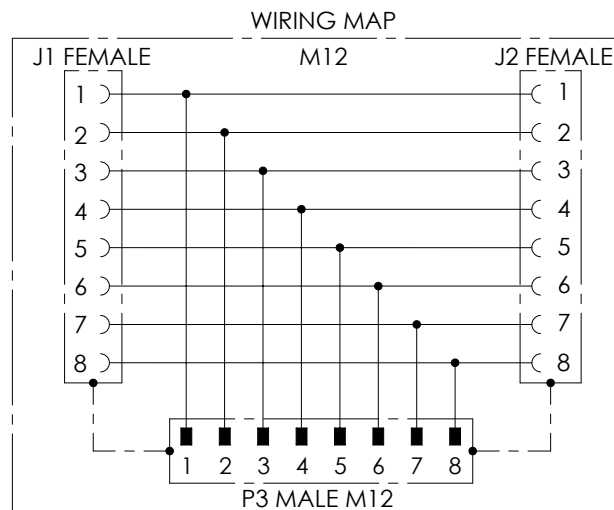
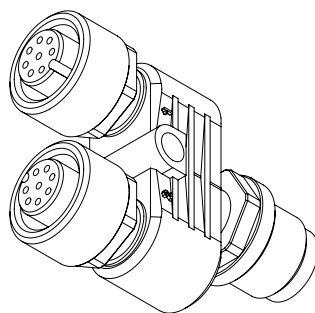
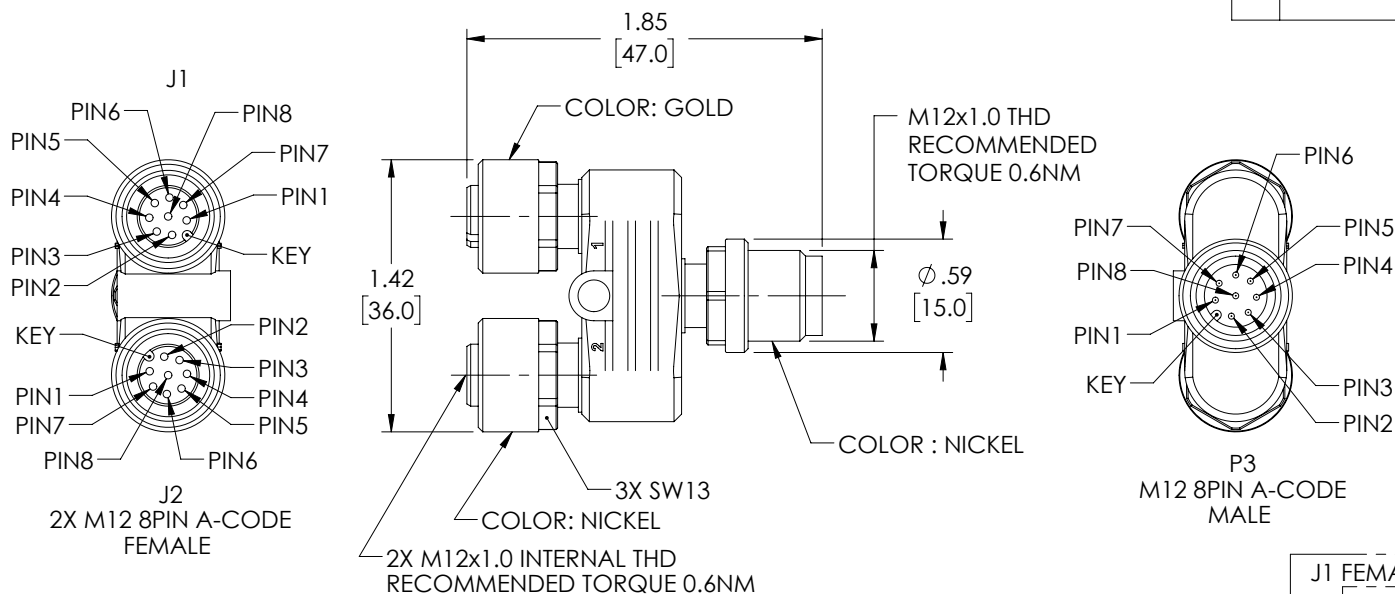


THE INFORMATION CONTAINED IN THIS DRAWING IS THE SOLE PROPERTY OF L-COM, INC. ANY REPRODUCTION IN PART OR WHOLE WITHOUT THE WRITTEN PERMISSION OF L-COM, INC. IS PROHIBITED.

REVISIONS			
REV	DESCRIPTION	DATE	APPROVED
A	REV A DRAWING RELEASED	02/28/2019	DGUTTADAUR



**NOTES:**

**MECHANICAL DATA**

1. HOUSING: T-COUPLER, M12 MALE 8 PIN - 2X M12 FEMALE 8 PIN
2. PROTECTION: IP67 WHEN MATED & TIGHTENED
3. TEMP RANGE: -25°C TO +85°C

**MISCELLANEOUS**

1. NOMINAL VOLTAGE: MAX 30V AC/DC
2. RATED CURRENT: MAX 2 A PER CONTACT
3. INTENDED USE: INDUSTRIAL CONTROL AND SIGNAL DISTRIBUTION, NOT FOR INTERRUPTING CURRENT
4. DIMENSIONS FOR REFERENCE ONLY

UNLESS OTHERWISE SPECIFIED, DIMENSIONS ARE IN INCHES [mm] OVERALL CABLE LENGTH TOLERANCE: ≤12 [305] = +1 [25] / -0 >12 [305] ≤60 [1524] = +2 [51] / -0 >60 [1524] ≤120 [3048] = +4 [102] / -0 >120 [3048] ≤300 [7620] = +6 [152] / -0 >300 [7620] = +5% / -0%	APPROVALS	DATE		50 HIGH STREET NORTH ANDOVER, MA 01845
	DRAWN BY DZINN	02/28/2019		
ALL OTHER DIMENSIONAL TOLERANCES: .X = ± .2 [5.08] .XX = ± .02 [.51] .XXX = ±.005 [0.13]	CHECKED BY DFRISIELLO	02/28/2019	CATEGORY <b>TELECOM/MODULAR</b>	
	APPROVED BY DGUTTADAUR	02/28/2019	PRODUCT DESCRIPTION <b>M12 8A-M TO 2XM12 8A-F T CPLR SHLD</b>	
PROJECTION 	CONFIGURATION DETAILS OF UNDIMENSIONED FEATURES MAY VARY	COLOR VARIATIONS MAY OCCUR	SIZE <b>A</b>	FSCM NO. <b>43321</b>
			DWG. NO. <b>TC-M128AM-2M128AF-S</b>	REV. <b>A</b>
			SCALE: NONE	CAD FILE: TC-M128AM-2M128AF-S.SLDDRW
				SHEET 1 OF 1