

6

5

4

3

REVISION

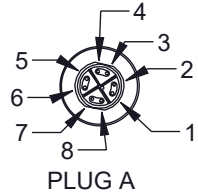
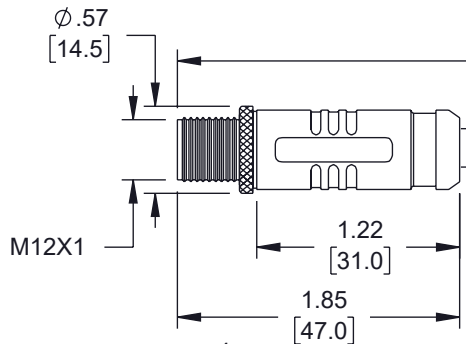
ZONE	REV	DESCRIPTION	DATE	CHANGED BY	APPROVED
	A	INITIAL RELEASE	05/27/2025	TDFRENE	GUTTADAURO

1

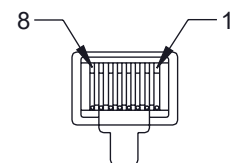
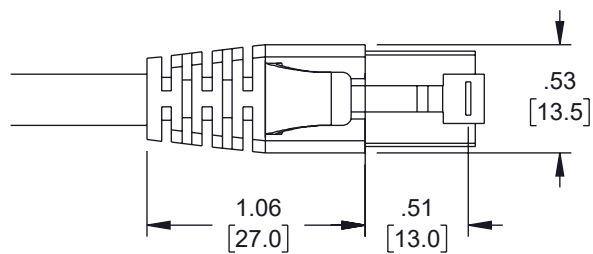
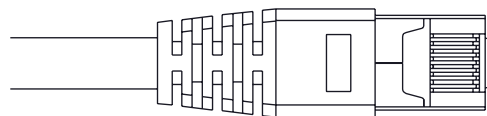
F

F

LENGTH
SEE TABLE



PLUG A



PLUG B

E

E

D

D

NOTES:

- CABLE:**
STRUCTURE: S/FTP 26AWG 4 PAIR PATCH CABLE CAT.7;
JACKET: PUR, OD: 6.4 0.3mm; MARKING: CTi IEC 61156-6
CATEGORY 7 S/FTP PATCH CABLE 4 PAIR 26AWG TPU
BATCH NUMBER 00000001M (SEQUENTIAL LENGTH IN
METERS); PLUG: M12; OUTER MOLDED: PUR; ZPSG017:
RJ-45, PLUG 8P8C, RJ-45, PLUG 8P8C, SHIELDED, PIN
GOLD PLATED 50MICRO-INCH, 2 PRONGS, DOUBLE
LAYER INSERT (OD=1.1mm), UL94V-0.
- PATCH CABLE:**
IP CLASS: IP20, OPERATING TEMPERATURE RANGE:
-40°C TO +85°C; FREQUENCY: 500MHZ; TRANSMISSION
RATE: UP TO 10Gbps; POE: CAPABLE; PIN ASSIGNMENT:
1:1; ASSIGNMENT ACC. STANDARD: IEC-61076-2-109;
FLAME RESISTANCE: UL444 CMX; UV RESISTANCE: IEC
60068-2-5 (2 CYCLE OF PROCEDURE B); OIL
RESISTANCE: UL758 60°C; HALOGEN-FREE: IEC 60754-1.
- CONNECTOR:**
TYPE: CIRCULAR M12, X-CODE, MALE, MOUNTED; PINS:
8; CATEGORY: CAT 6A; IP CLASS: IP68; TEMPERATURE
RANGE -25°C TO +85°C; SHIELDED; DURABILITY: 500
MATING CYCLES; INSULATION RESISTANCE: >100 MOhm;
CONTACT RESISTANCE: 10 mOhm MAX; WITHSTANDING
VOLTAGE: 500V AC/MINUTE.

PLUG A



PLUG B



DRAIN WIRE / SCREEN ----- DRAIN WIRE / SCREEN

PART NO.	LENGTH
TRG610-P6N-05M	19.69 [0.5m]
TRG610-P6N-1M	39.37 [1m]
TRG610-P6N-3M	118.11 [3m]
TRG610-P6N-5M	196.85 [5m]
TRG610-P6N-10M	393.7 [10m]

C

C

B

B

A

A

THE INFORMATION CONTAINED IN THIS DRAWING IS THE SOLE PROPERTY OF INFINITE ELECTRONICS, INC. ANY REPRODUCTION IN PART OR WHOLE WITHOUT THE WRITTEN PERMISSION OF INFINITE ELECTRONICS, INC. IS PROHIBITED. THESE COMMODITIES, TECHNOLOGY OR SOFTWARE WERE EXPORTED FROM THE UNITED STATES IN ACCORDANCE WITH THE EXPORT ADMINISTRATION REGULATIONS. DIVERSION CONTRARY TO U.S. LAW PROHIBITED.

UNLESS OTHERWISE SPECIFIED LEADING DIMENSIONS ARE INCHES DIMENSIONS IN [] ARE MILLIMETERS

TOLERANCES:
 X = ±.2 [5] FRACTIONS ± 1/32
 .XX = ±.02 [0.5] ANGLES ± 1°
 .XXX = ±.005 [0.13]

CABLE LENGTH TOLERANCES:
 ≤12 [305] = +1 [25] / -0
 >12 [305] ≤ 60 [1524] = +2 [51] / -0
 >60 [1524] ≤ 120 [3048] = +4 [102] / -0
 >120 [3048] ≤ 300 [7620] = +6 [152] / -0
 >300 [7620] = +5% / -0

ALL DIMENSIONS ARE FOR REFERENCE ONLY AND SUBJECT TO CHANGE WITHOUT NOTICE. UN-DIMENSIONED/NON-CRITICAL FEATURES MAY VARY IN SIZE AND LOCATION. COLORS MAY VARY

L-com
an INFINIT® brand

Website: www.L-com.com
Phone: 1.800.341.5266 | 1.978.682.6936

INTERPRET ALL DIMENSIONS AND TOLERANCES PER ASME Y14.5

SCALE	SHEET
NONE	1 OF 1

DESCRIPTION
M12 CATEGORY 6A 10GIG IP68 8 POSITION X CODE DOUBLE SHIELDED S/FTP, 26AWG, OUTDOOR INDUSTRIAL CABLE, M12M RJ45M, CMX HFPUR, GRN

SIZE	CAGE CODE	DRAWN BY	ITEM NO.	REV
A	43321	TDFRENE	TRG610-P6N	A

6

5

4

3

2

1