

6

5

4

3

REVISION

1

ZONE	REV	DESCRIPTION	DATE	CHANGED BY	APPROVED
	A	INITIAL RELEASE	05/27/2025	TDFRENE	GUTTADAURO

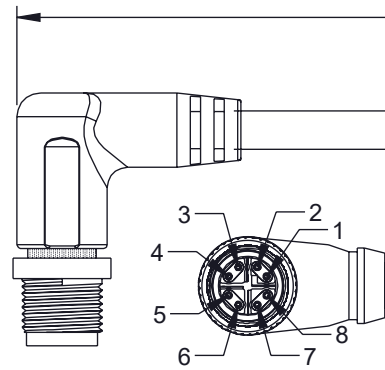
F

F

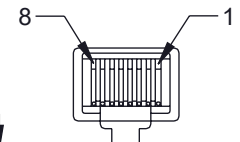
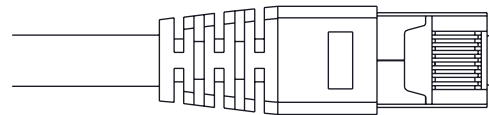
LENGTH
SEE TABLE

E

E



PLUG A



PLUG B

D

D

NOTES:

- CABLE:**
STRUCTURE: S/FTP 26AWG 4 PAIR PATCH CABLE CAT.7;
JACKET: PUR, OD: 6.4 0.3mm; MARKING: CTi IEC 61156-6
CATEGORY 7 S/FTP PATCH CABLE 4 PAIR 26AWG TPU
BATCH NUMBER 0000001M (SEQUENTIAL LENGTH IN
METERS); PLUG: M12; MOLDED: PUR; ZPSG017: RJ-45,
PLUG 8P8C, RJ-45, PLUG 8P8C, SHIELDED, PIN GOLD
PLATED 50MICRO-INCH, 2 PRONGS, DOUBLE LAYER
INSERT (OD=1.1mm), UL94V-0.
- PATCH CABLE:**
IP CLASS: IP20, OPERATING TEMPERATURE RANGE:
-40°C TO +85°C; FREQUENCY: 500MHZ; TRANSMISSION
RATE: UP TO 10Gbps; POE: CAPABLE; PIN ASSIGNMENT:
1:1; ASSIGNMENT ACC. STANDARD: IEC-61076-2-109;
FLAME RESISTANCE: UL444 CMX; UV RESISTANCE: IEC
60068-2-5 (2 CYCLE OF PROCEDURE B); OIL
RESISTANCE: UL758 60°C; HALOGEN-FREE: IEC 60754-1.
- CONNECTOR:**
TYPE: CIRCULAR M12, X-CODE, MALE, MOUNTED; PINS:
8; CATEGORY: CAT 6A; IP CLASS: IP68; TEMPERATURE
RANGE -25°C TO +85°C; SHIELDED; DURABILITY: 500
MATING CYCLES; INSULATION RESISTANCE: >100 MOhm;
CONTACT RESISTANCE: 10 mOhm MAX; WITHSTANDING
VOLTAGE: 500V AC/MINUTE.

PLUG A

PLUG B

(WHITE/ORANGE) 1 1 (WHITE/ORANGE)
(ORANGE) 2 2 (ORANGE)

(WHITE/GREEN) 3 3 (WHITE/GREEN)
(GREEN) 4 4 (BLUE)

(WHITE/BROWN) 5 5 (WHITE/BLUE)
(BROWN) 6 6 (GREEN)

(WHITE/BLUE) 7 7 (WHITE/BROWN)
(BLUE) 8 8 (BROWN)

DRAIN WIRE / SCREEN ----- DRAIN WIRE / SCREEN

PART NO.	LENGTH
TRG613-P6N-05M	19.69 [0.5m]
TRG613-P6N-1M	39.37 [1m]
TRG613-P6N-3M	118.11 [3m]
TRG613-P6N-5M	196.85 [5m]
TRG613-P6N-10M	393.7 [10m]

A

A

THE INFORMATION CONTAINED IN THIS DRAWING IS THE SOLE PROPERTY OF INFINITE ELECTRONICS, INC. ANY REPRODUCTION IN PART OR WHOLE WITHOUT THE WRITTEN PERMISSION OF INFINITE ELECTRONICS, INC. IS PROHIBITED. THESE COMMODITIES, TECHNOLOGY OR SOFTWARE WERE EXPORTED FROM THE UNITED STATES IN ACCORDANCE WITH THE EXPORT ADMINISTRATION REGULATIONS. DIVERSION CONTRARY TO U.S. LAW PROHIBITED.

UNLESS OTHERWISE SPECIFIED
LEADING DIMENSIONS ARE INCHES
DIMENSIONS IN [] ARE MILLIMETERS

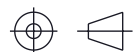
TOLERANCES:
X = ±.2 [5] FRACTIONS
.XX = ±.02 [0.5] ± 1/32
.XXX = ±.005 [0.13] ANGLES ± 1°

CABLE LENGTH TOLERANCES:
≤12 [305] = +1 [25] / -0
>12 [305] ≤ 60 [1524] = +2 [51] / -0
>60 [1524] ≤ 120 [3048] = +4 [102] / -0
>120 [3048] ≤ 300 [7620] = +6 [152] / -0
>300 [7620] = +5% / -0

ALL DIMENSIONS ARE FOR REFERENCE ONLY
AND SUBJECT TO CHANGE WITHOUT NOTICE.
UN-DIMENSIONED/NON-CRITICAL FEATURES
MAY VARY IN SIZE AND LOCATION
COLORS MAY VARY

L-com
an INFINIT@ brand

Website: www.L-com.com
Phone: 1.800.341.5266 | 1.978.682.6936



INTERPRET ALL DIMENSIONS AND
TOLERANCES PER ASME Y14.5

SCALE SHEET
NONE 1 OF 1

DESCRIPTION
M12 CATEGORY 6A 10GIG IP68 8 POSITION X CODE DOUBLE
SHIELDED S/FTP, 26AWG, OUTDOOR INDUSTRIAL CABLE,
RAM12M RJ45M, CMX HFPUR, GRN

SIZE	CAGE CODE	DRAWN BY	ITEM NO.	REV
A	43321	TDFRENE	TRG613-P6N	A

6

5

4

3

2

1